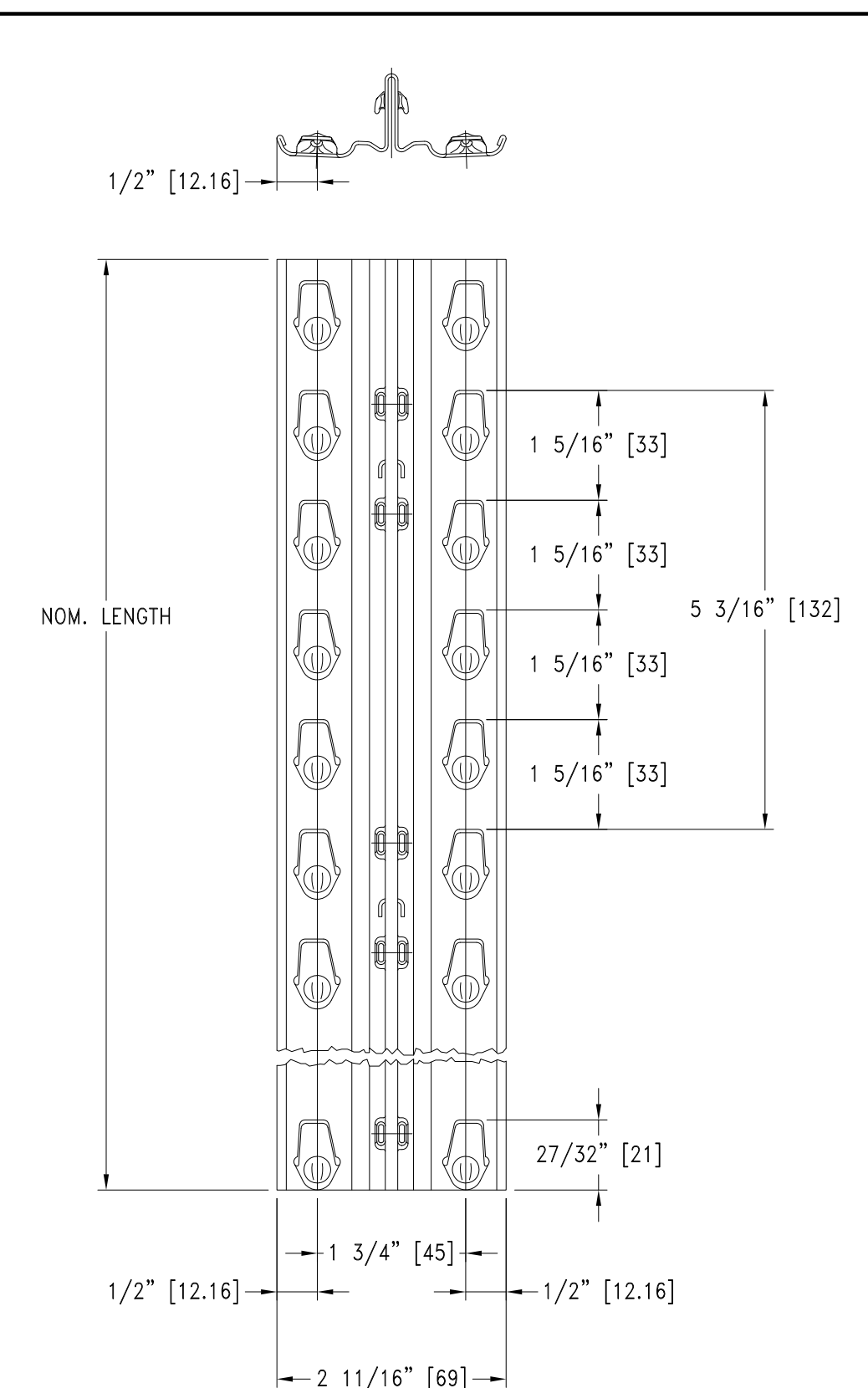
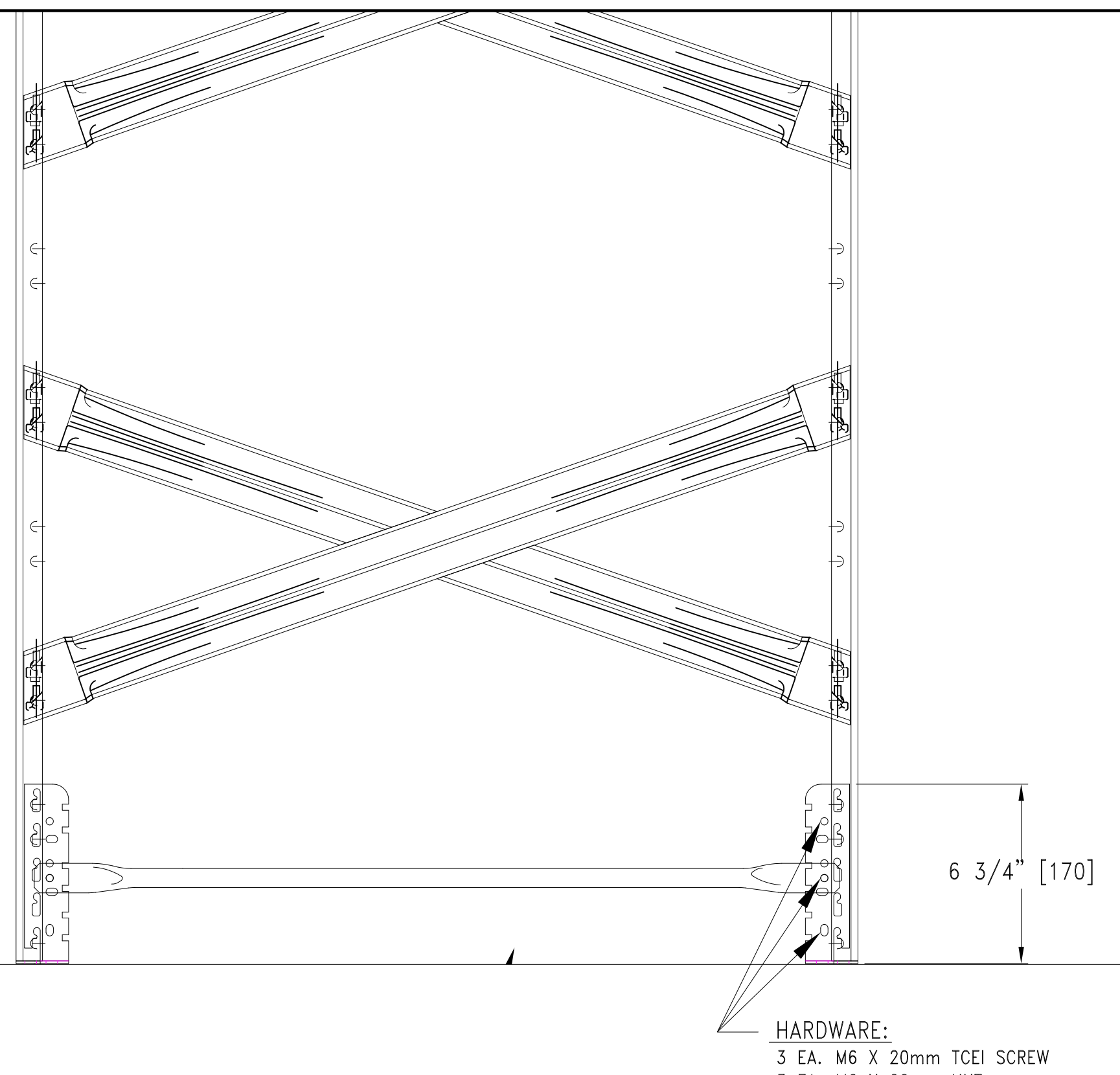


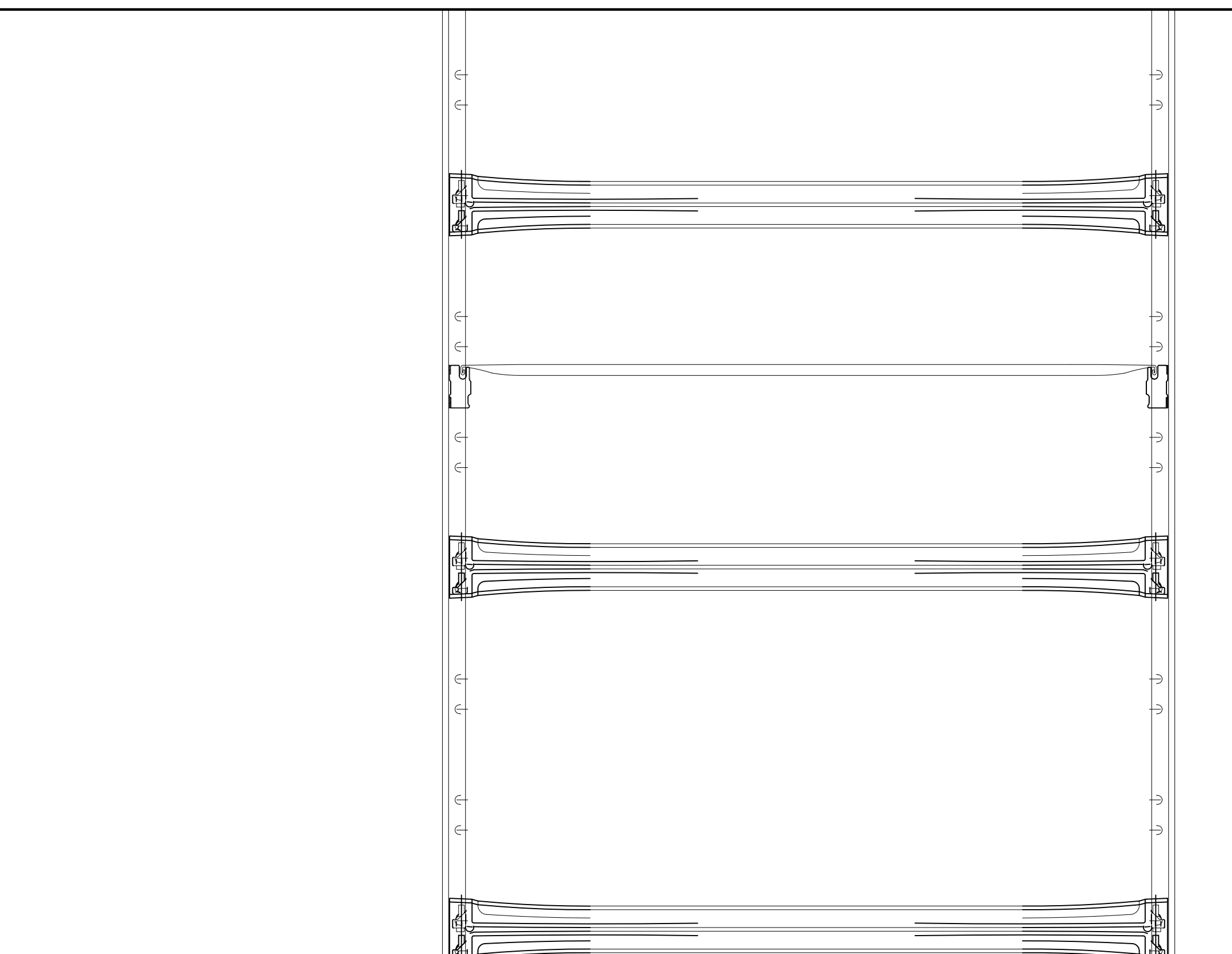
1 TYPICAL FRAME



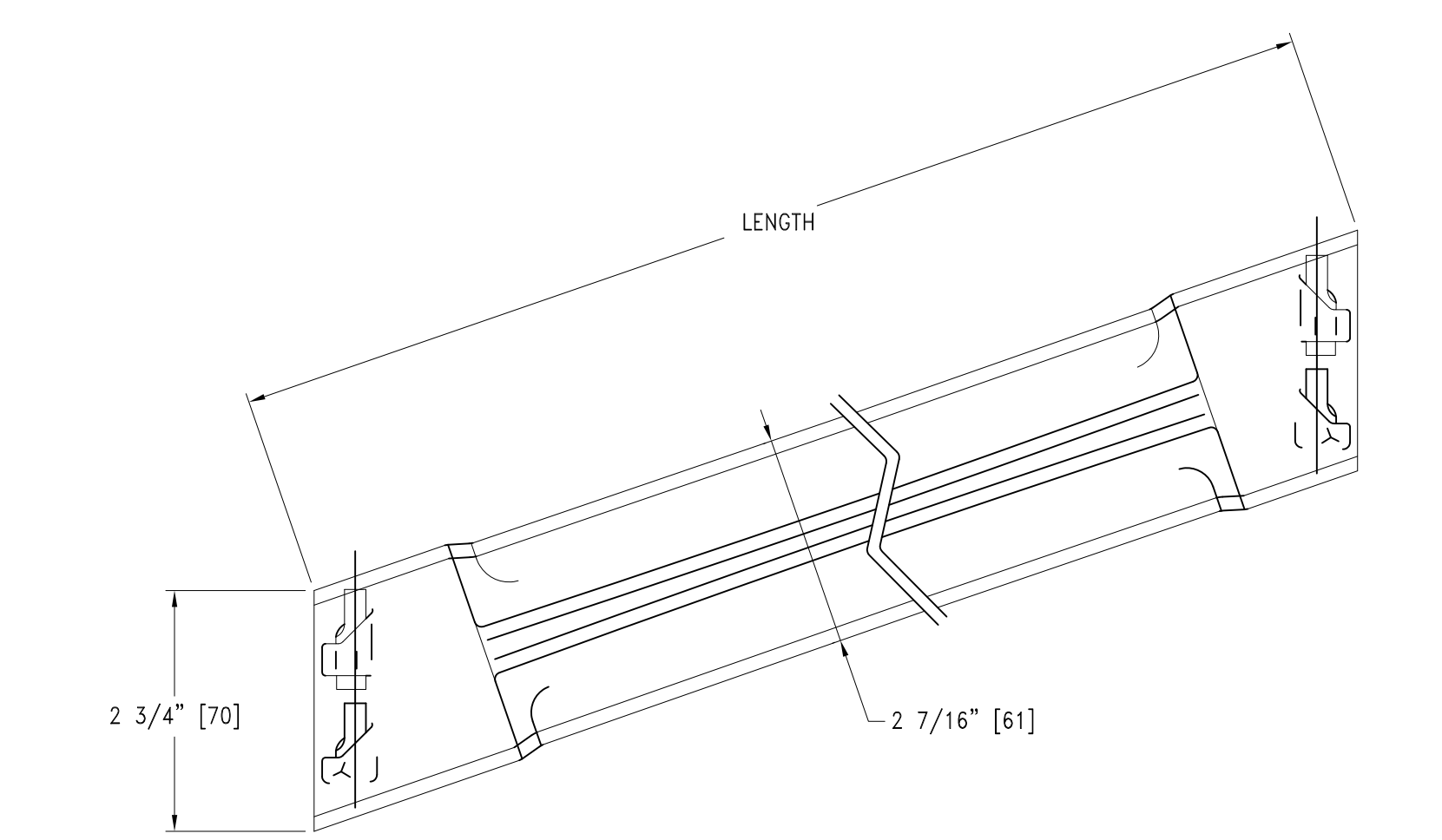
2 STANDARD POST



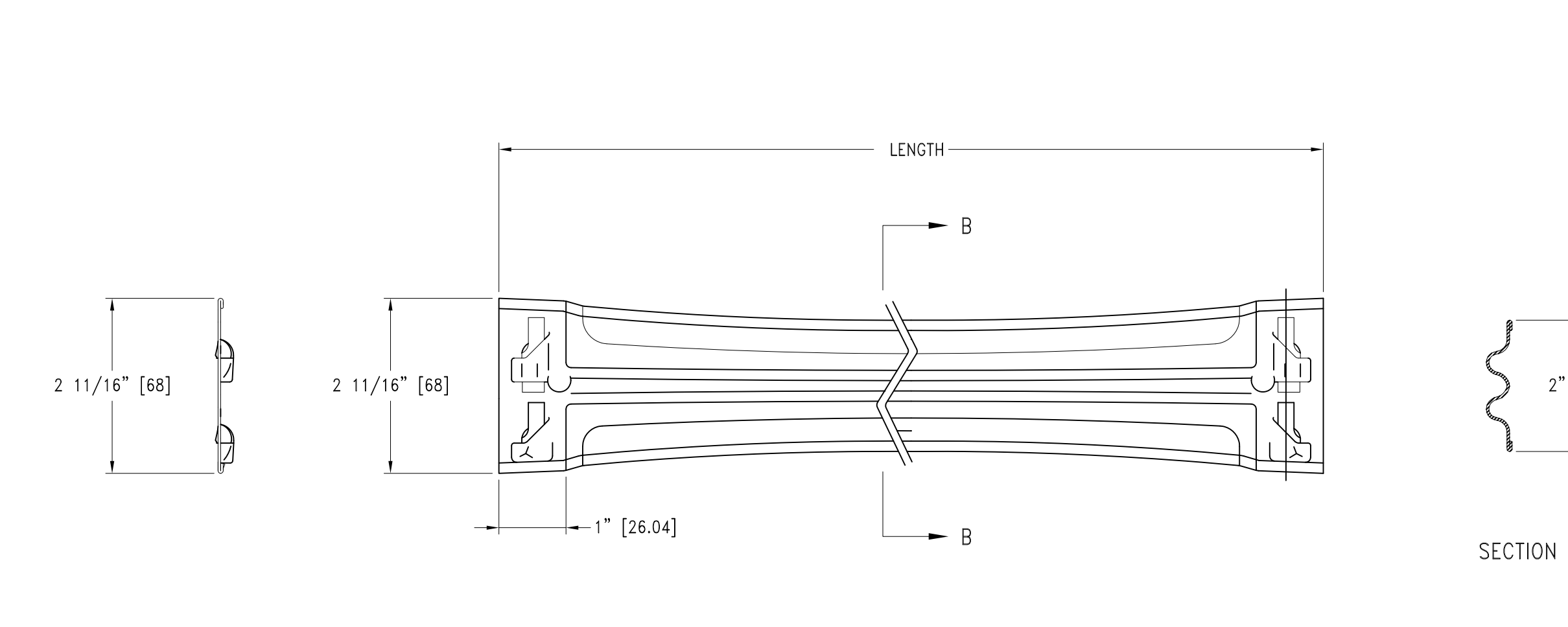
3 DIAGONAL SPACER BAR SIDE VIEW



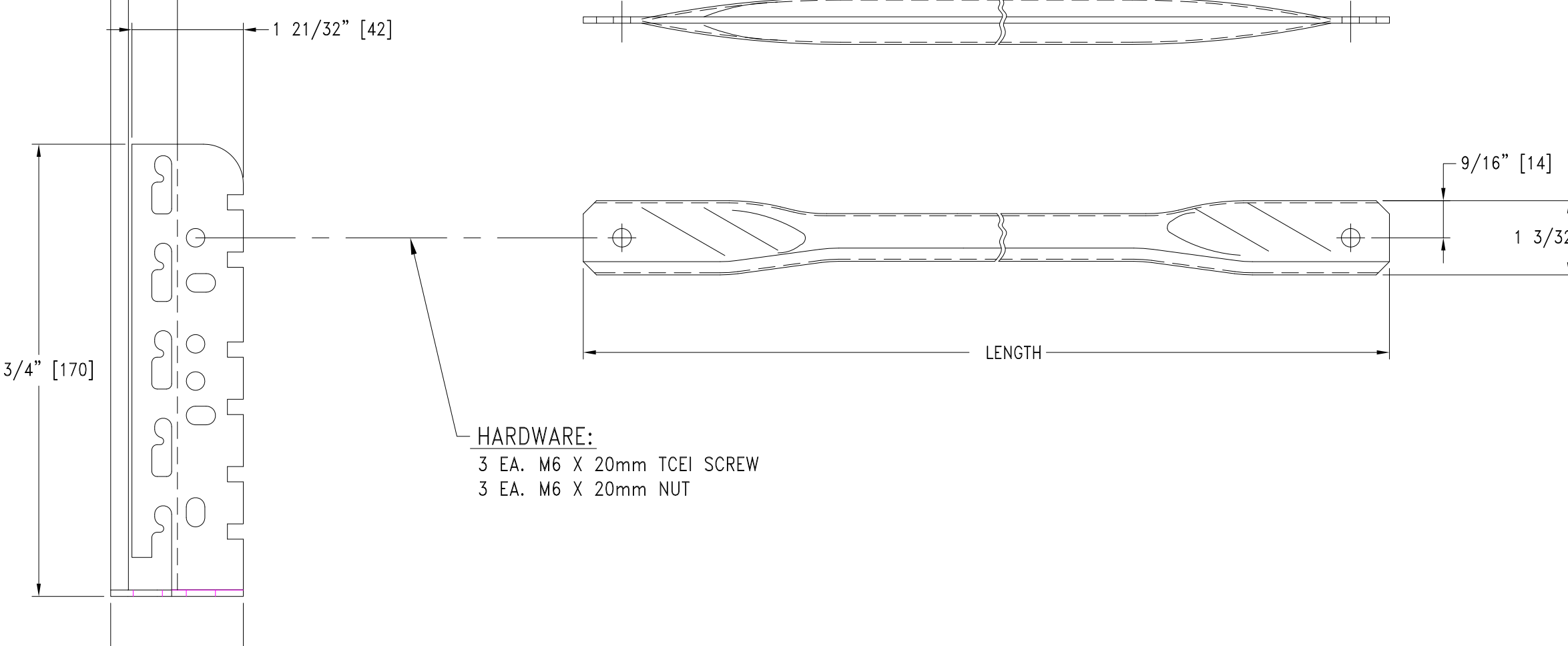
4 HORIZONTAL SPACER BAR SIDE VIEW



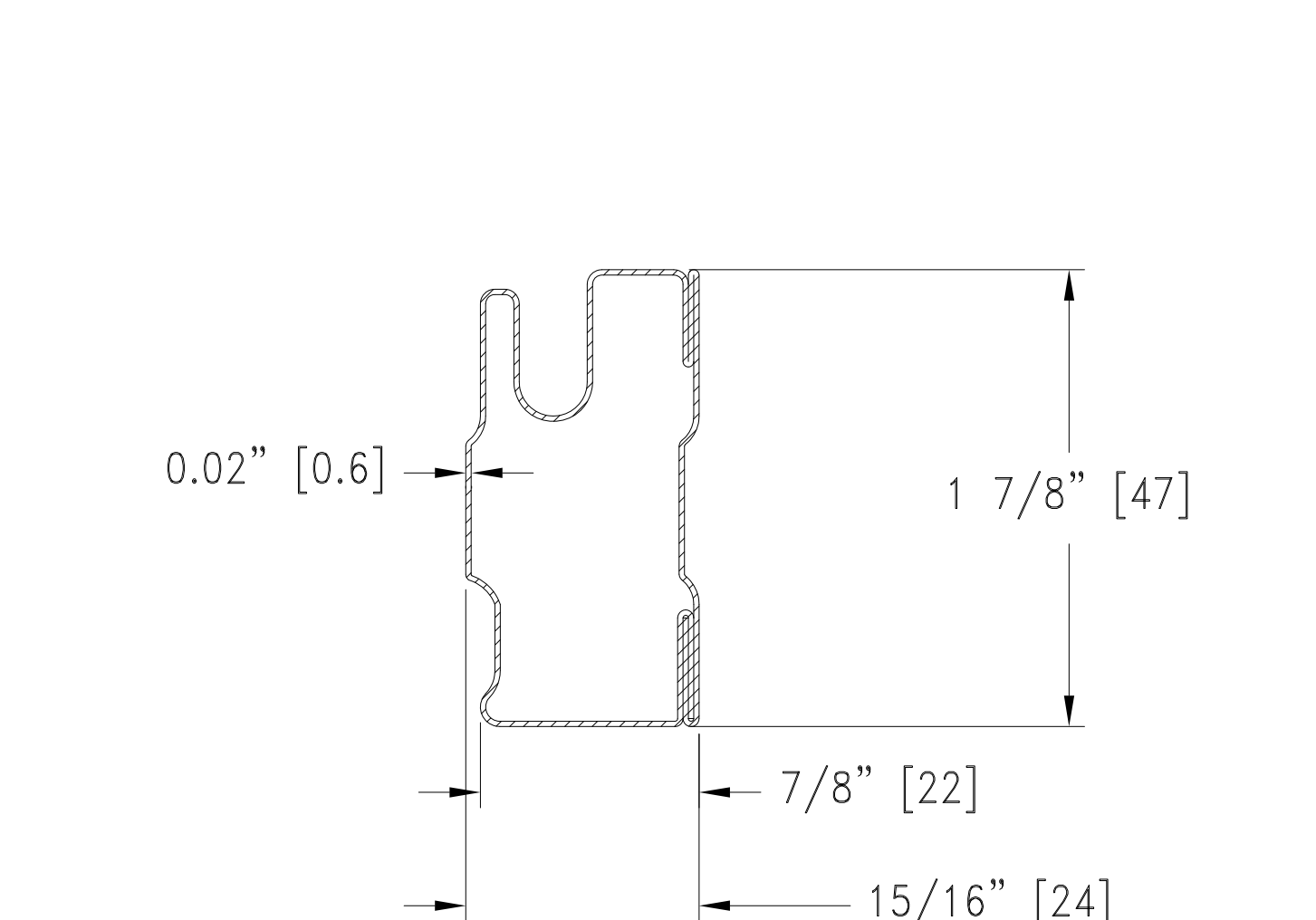
5 DIAGONAL SPACER BAR



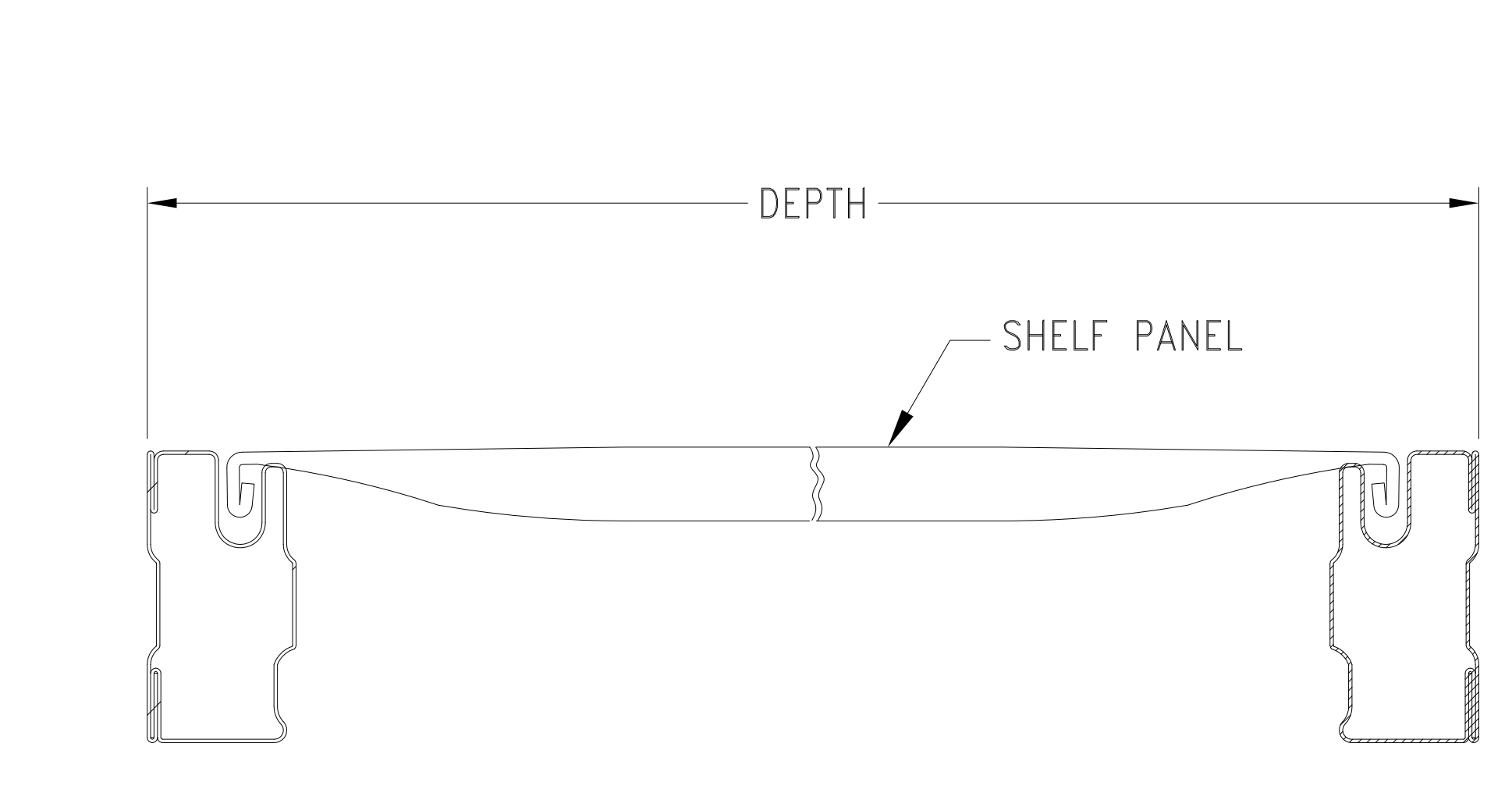
6 HORIZONTAL SPACER BRACE



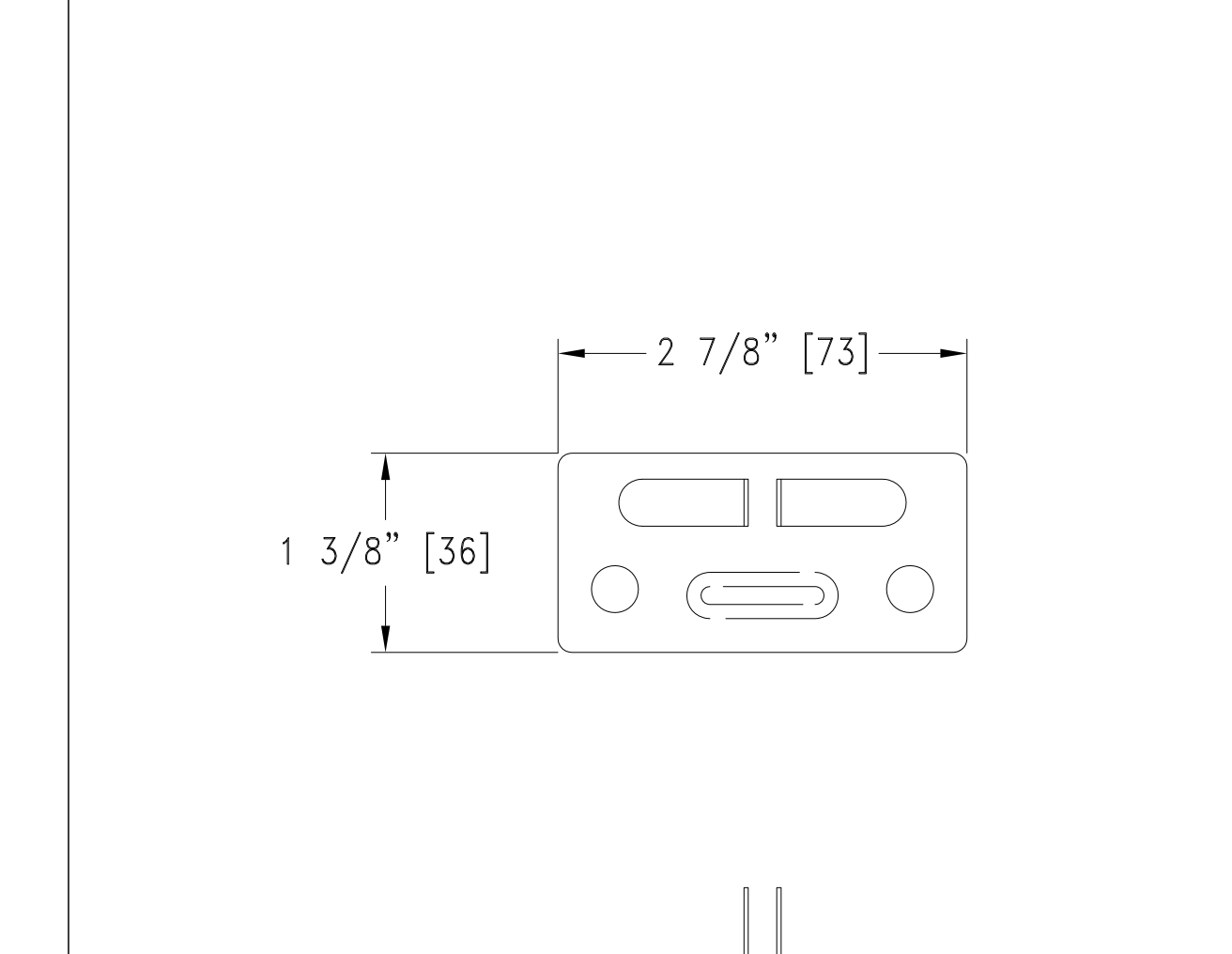
7 HEAVY DUTY BASE PLATE



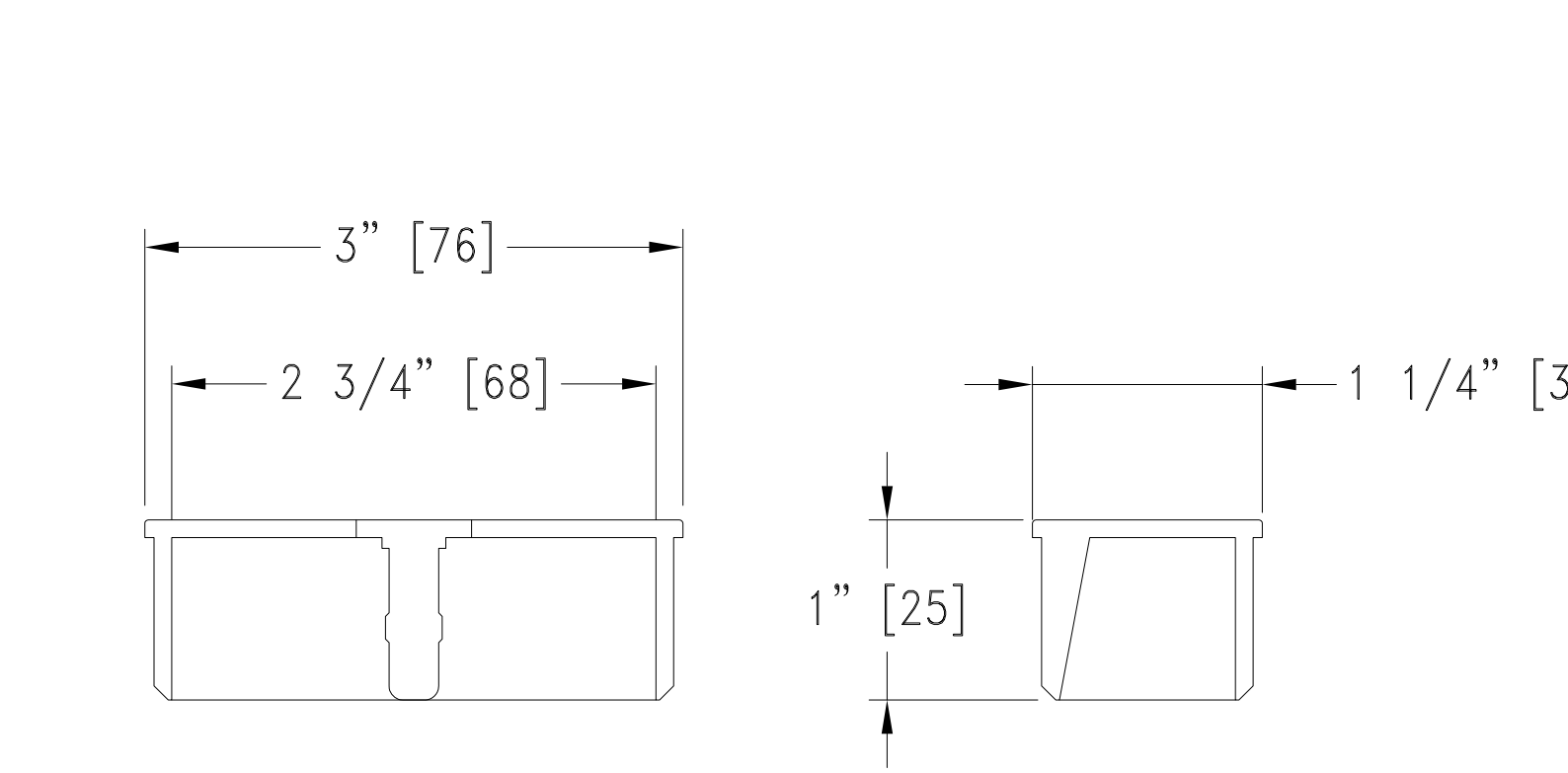
8 STANDARD METALSISTEM BEAM



9 BEAM SECTION AND METAL PANEL



10 METAL BASE PLATE



11 PLASTIC BASE AND UPRIGHT TOP CAP

HARDWARE:
3 EA. M6 X 20mm TCEI SCREW
3 EA. M6 X 20mm NUT

HARDWARE:
3 EA. M6 X 20mm TCEI SCREW
3 EA. M6 X 20mm NUT

1/16"=.0625"	9/16"=.5625"	THIS DOCUMENT CONTAINS PROPRIETARY MATERIAL AND/OR INFORMATION WHICH IS OWNED BY HANNIBAL MATERIAL HANDLING AND WHICH IS GIVEN IN CONFIDENCE. THE PARTY ACCEPTING THIS DOCUMENT ASSUMES CUSTOMER THEREOF AND AGREES NOT TO REPRODUCE, TO USE IN ANY MANNER INCLUDING MANUFACTURING, OR TO DIVULGE TO A THIRD PARTY THE DOCUMENT OR DETAILS IN HERE WITHOUT EXPRESS WRITTEN PERMISSION FROM HANNIBAL MATERIAL HANDLING.	#1	-	-	-	-	REVISION
1/8"=.125"	5/8"=.625"		NO.	BY	DATE			
3/16"=.1875"	11/16"=.6875"		HANNIBAL MATERIAL HANDLING 2030 EAST 38th ST. VERNON, CA 95028 TEL. 353-587-4860 FAX. 353-587-4864		PART NO. METALSISTEM SUPER 123	DRAWN BY L. ZAMORA	00 EA.	DATE 3-20-14
1/4"=.250"	3/4"=.750"		A DIVISION OF HANNIBAL INDUSTRIES, INC.		FILE ENGR/2001/DETAIL SHEETS	ENGR		
5/16"=.3125"	13/16"=.8125"		UNLESS OTHERWISE SPECIFIED DIMENSIONS ARE IN INCHES		1 PLACEXXXX + .005 FRACTION 1/16"	2 PLACEXXXX + .000 ANGLE 1/8"	3 PLACEXXXX + .000 SURFACE 1/8"	METALSISTEM DETAILS
3/8"=.375"	7/8"=.875"		BREAK AND DEBURR ALL SHARP EDGES		4 PLACEXXXX + .000 SURFACE 1/8"	5 PLACEXXXX + .000 SURFACE 1/8"	CUSTOMER HMH	SCALE NTS
7/16"=.4375"	15/16"=.9375"							
1/2"=.500"	1"=1.00"							