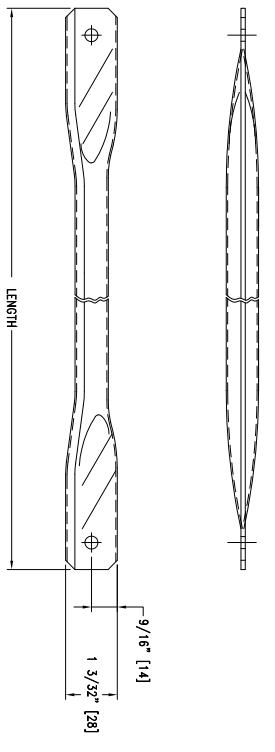
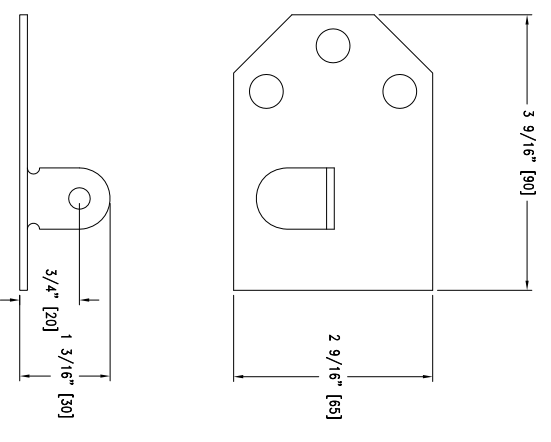


① TYPICAL FRAME

② STANDARD POST

③ HORIZONTAL / DIAGONAL SPACER BAR SIDE VIEW

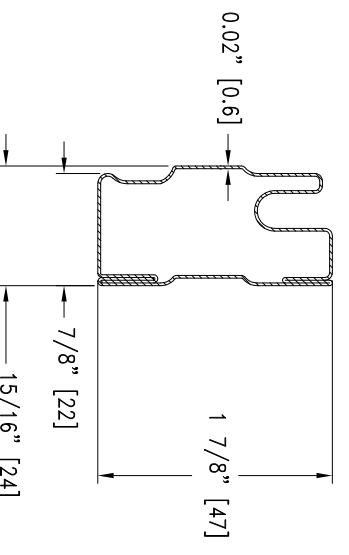
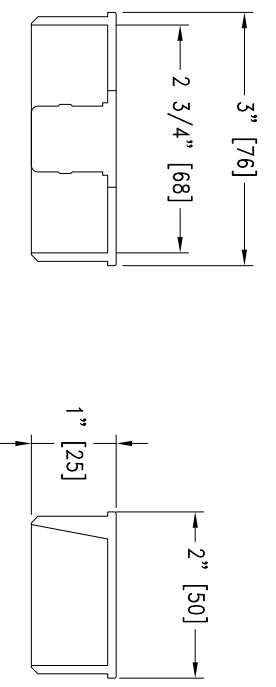
④ METAL BASE PLATE



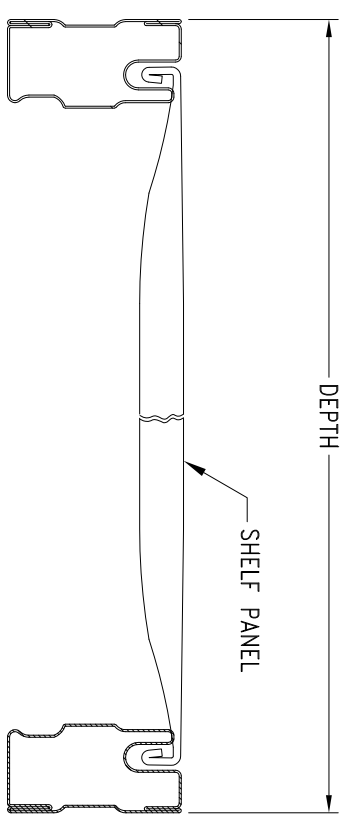
HARDWARE:  
2 EA. M6 X 20mm TCEI SCREW  
2 EA. M6 X 20mm NUT

⑤ HORIZONTAL / DIAGONAL SPACER BRACE

⑥ PLASTIC BASE AND UPRIGHT TOP CAP

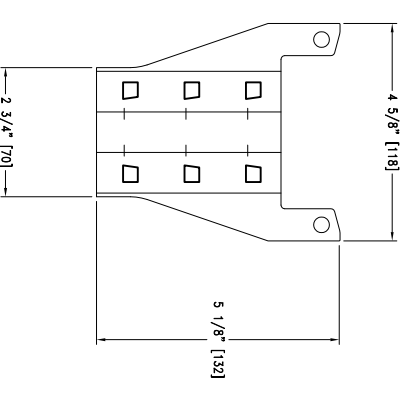


⑦ STANDARD METALSYSTEM BEAM

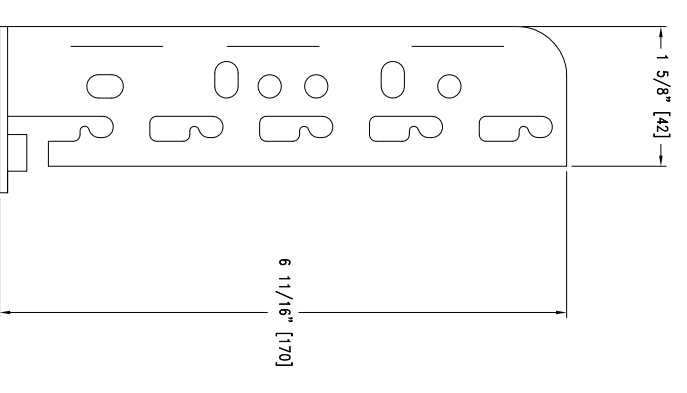


⑧ BEAM SECTION AND METAL PANEL

⑨ WALL BRACKET



⑩ HEAVY DUTY METAL BASE PLATE



1/8" = .0625"	9/16" = .5625"	1/8" = .125"	5/8" = .625"	3/16" = .1875"	1 1/16" = .875"	1/4" = .250"	3/4" = .750"	5/16" = .3125"	1 3/16" = .8125"	3/8" = .375"	7/8" = .875"	7/16" = .4375"	15/16" = .9375"	1" = 1.00"	1/2" = .500"
<p>THE FOLLOWING INFORMATION WHICH IS OWNED BY HMMH IS HEREBY GRANTED TO YOU ON THE CONDITION THAT YOU WILL NOT REPRODUCE OR TRANSMIT THIS INFORMATION IN ANY MANNER WITHOUT THE WRITTEN PERMISSION FROM HMMH.</p>															
DATE	BY	DATE	BY	DATE	BY	DATE	BY	DATE	BY	DATE	BY	DATE	BY	DATE	BY
<p>REVISION</p> <p>METALSYSTEM UNIRACK</p> <p>ZAMORA</p> <p>00 EA.</p> <p>SHEET 4 - 9 - 14</p> <p>METALSYSTEM DETAILS</p> <p>000</p> <p>NTS</p>															